

MERCHANT MARINE ACADEMY OF MACEDONIA
SCHOOL OF ENGINEERS

STUDENT'S FULL NAME:

STUDENT NUMBER:

GROUP:

Academic year: 2013-2014

Exam period: June

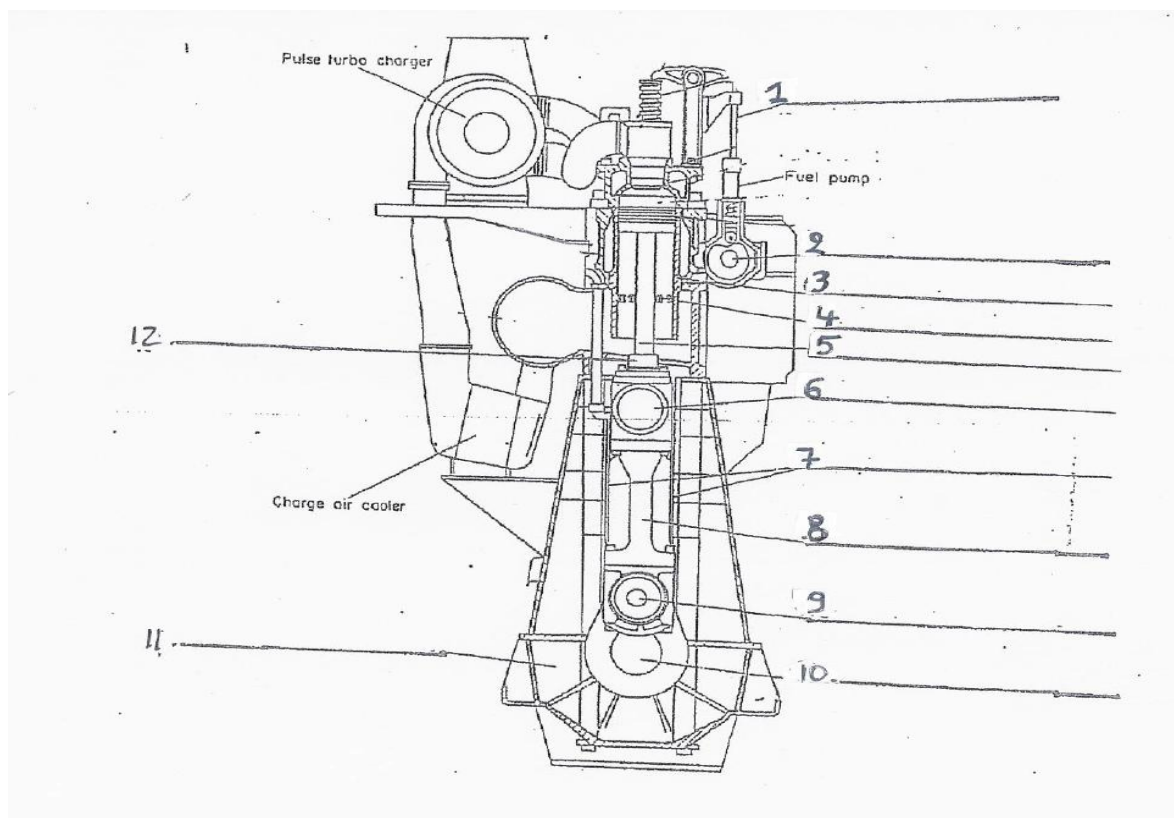
Date: 23/6/2014

Semester: A

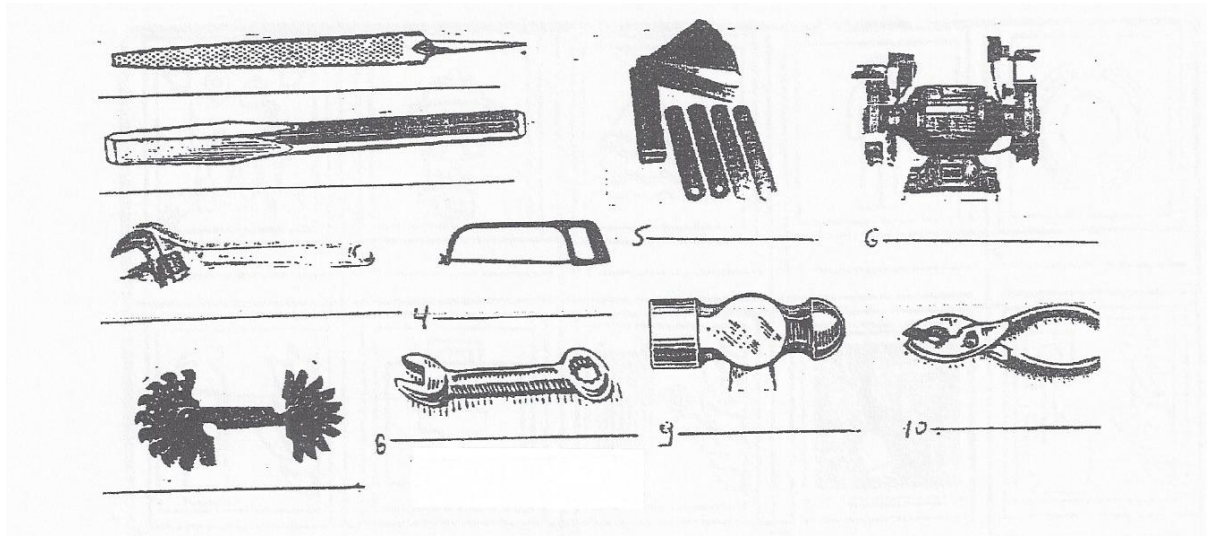
Instructor's name: Dr M. Tsompanoglou

FINAL TEST in English (Retakes)

1. Name the parts 1-12 in the following diagram of a 2-stroke diesel engine. (18 points)



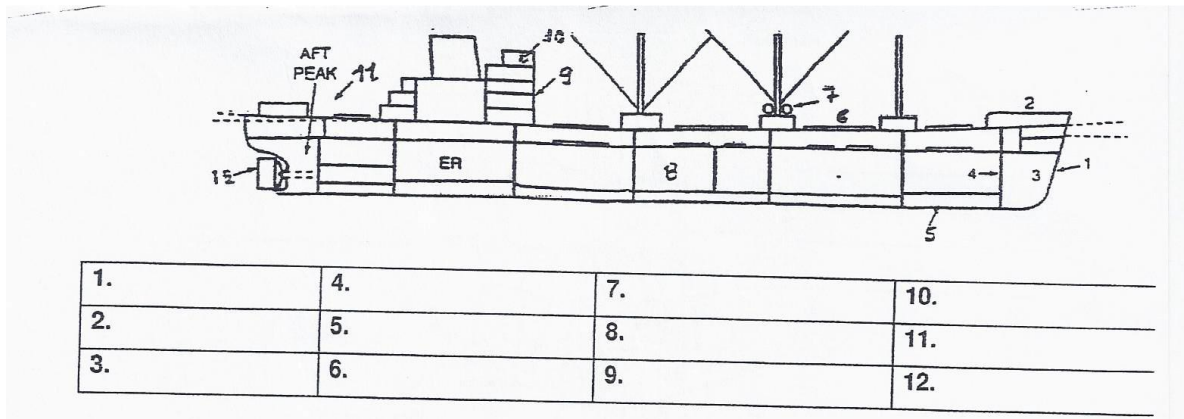
2. Identify the following tools: (15 points)



3. Underline the correct choice. (15 points)

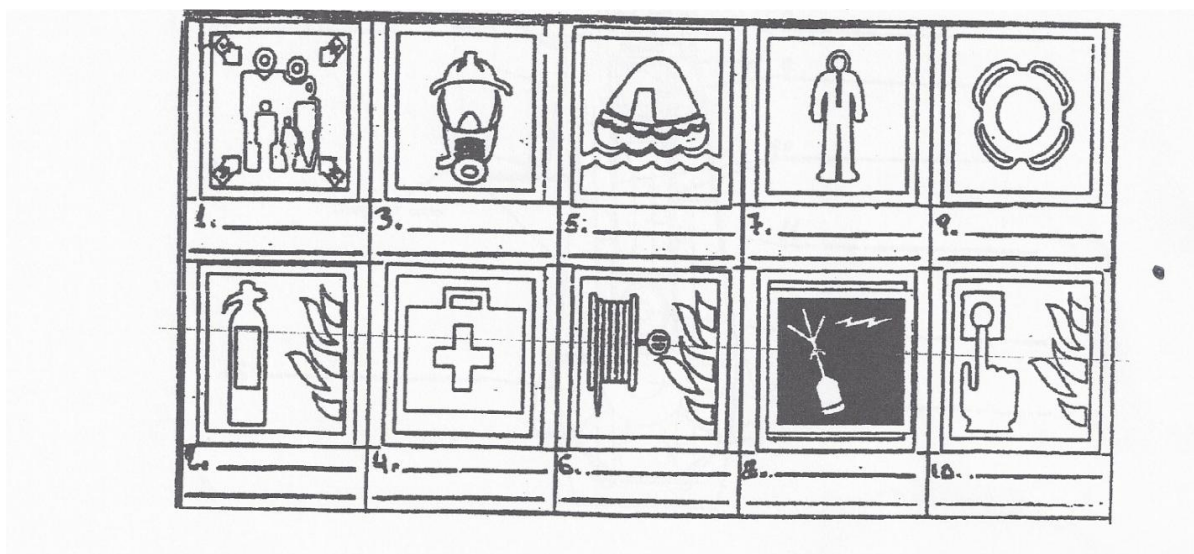
1. We use a (screwdriver, spanner, hammer) to tighten or loosen a nut.
2. A pair of (pliers, calipers, dividers) is used to measure thicknesses.
3. We smoothen and shape a surface with a (scraper, reamer, file).
4. For hexagonal screws we use a(n) (Allen key, open-ended spanner, ratchet wrench).
5. With a (screw-pitch gauge, feeler, reamer) we measure very small distances.
6. In order to hold an object firmly in its place while work is done, we use a (grinder, fitter's vice, lathe).
7. In order to cut internal threads we use (cutters, taps, snips).
8. Diesel engines are (spark-ignited engines, compression-ignited engines).
9. In the 2-stroke diesel engine one cycle of operation is completed in (one, two) revolutions of the crankshaft.
10. The camshaft is connected to the rocker arm with the (push rod, piston rod, connecting rod).

4. Name the following parts of the vessel. (18 points)



1.	4.	7.	10.
2.	5.	8.	11.
3.	6.	9.	12.

5. Name the following life saving equipment. (15 points)



6. Match the following words. In the 2nd column write the correct kind of the vessel from the 1st column. (10 points)

Ro-Ro ship	Carries vehicles:
Reefer	Carries liquefied petroleum gas:
LPG	Carries cargo in "boxes":
LASH Vessel	Tows other vessels:
Ice breaker	Carries unpacked cargo:
Tug	Carries refrigerated cargo:
Dry Bulk Carrier	Carries cargo in break-bulk form:
Container	Carries lighters aboard ship:
General Cargo Ship	Transfers the pilot to the ship:
Pilot boat	Crushes a way through ice:

7. Find the missing words. The first letter is given. (10 points)

You can't go on a training trip, unless you have a s.....'s book.

The vessel's call s..... is AEHQ2.

On a vessel the place where people eat is called: m.....

On a vessel the place where the cook cooks is called: g.....

C..... ships carry their cargo in special "boxes".

The Capricorn makes a speed of 14 k..... Her grain c..... is 328500 cubic feet.

Her l..... overall is 118 metres.

The c..... liner protects the cylinder by reducing friction.

The c..... carries the cams which operate the fuel pumps and exhaust valves.

