

**MERCHANT MARINE ACADEMY OF MACEDONIA
SCHOOL OF ENGINEERS**

STUDENT'S FULL NAME:

STUDENT NUMBER:

Academic year: 2016-2017

Exam period: February

Date: 10/2/2017

Semester: A

Instructor's name: Dr M. Tsompanoglou

FINAL TEST in English

1. Complete the sentences with an appropriate word. (15 points)

On a vessel the place where people eat is called: **m**.....

You can't go on a training trip, unless you have a **s**.....'s book.

The vessel's call **s**..... is AEHQ2.

On a vessel the place where the cook cooks is called: **g**.....

When you are facing the bow, you have the **s**..... side on your right, and the **p**..... side on your left. The right side of the stern is called starboard **q**.....

The ship's **l**..... overall is 118 metres.

The Capricorn makes a speed of 14 **k**..... Her grain **c**..... is 328500 cubic feet.

2. Find which of these engine parts do the following: (10 points)

piston rod, push rod, crank pin, exhaust valve, piston, bedplate, crosshead, piston pin, cylinder head, cylinder liner

The gases go out through this valve:

The camshaft opens the valves with the help of this rod:

It reciprocates in the cylinder:

It reciprocates in the stuffing box:

All the valves are fitted in it:

It supports the whole engine:

It connects the piston rod to the connecting rod:

It connects the crankshaft to the connecting rod:

It protects the cylinder reducing friction:

It connects the piston to the connecting rod:

3. Write which of these tools perform the following functions: (10 points)

tinsnips, tap, reamer, pliers, cutting torch, centre punch, feeler gauge, mallet, fitter's vice, bench grinder

After you drill a hole, it shapes and enlarges it:

It rotates a grindstone to sharpen tools:

It cuts or bends wire:

A metal tool with movable jaws. It is used to hold an object firmly while work is done:

A hammer with a large plastic or wooden head:

It cuts internal threads in metal for inserting a screw:

It cuts sheet metal:

It marks the spot you will drill:

It measures narrow gaps or clearances:

It uses fuel gases and oxygen to cut metals:

4. Underline the correct choice. (10 points)

For hexagonal screws we use a(n) (Allen key, open-ended spanner, ratchet wrench).

With a (screw-pitch gauge, feeler, reamer) we measure very small distances.

In order to hold an object firmly in its place while work is done, we use a (grinder, fitter's vice, lathe).

The camshaft is connected to the rocker arm with the (push rod, piston rod, connecting rod).

We use a (screwdriver, spanner, hammer) to tighten or loosen a nut.

A pair of (pliers, calipers, dividers) is used to measure thicknesses.

We smoothen and shape a surface with a (scraper, reamer, file).

In order to cut internal threads we use (cutters, taps, snips).

In the 2-stroke diesel engine one cycle of operation is completed in (one, two) revolutions of the crankshaft.

Diesel engines are (spark-ignited, compression-ignited) engines.

5. Find the kinds of vessels that do the following: (7 points)

Ro-Ro, Lightship, Tug, Cable layer, Pilot tender, LPG, Reefer, Container, Clean-product tanker, Crude carrier, Icebreaker, General cargo ship, Bulk carrier, Paxcar ferry

Serves as a beacon for navigation:

Carries any type of cargo in "boxes":

Carries liquified petroleum gas:

Assists with the pilotage of another vessel:

Carries loose cargo such as grain, iron, ore etc.:

Carries vehicles:

Carries refrigerated cargo:

Tows other vessels:

Any type of packaged cargo or pieces of machinery:

Carries crude oil:

Carries refined petroleum products:

Lays cables on the bottom of the sea:

Crushes a way through ice:

It carries passengers and cars:

6. Find the crew member who is responsible for the following duties: (10 points)

Decides which engine repairs need to be done:

Keeps engine room crew overtime:

Is the representative of the company and responsible for the safety of the crew and the ship

Is responsible for all machinery on board:

Is traditionally the ship's navigational officer:

Is in charge of the deck department:

Lubricates and greases parts of the machinery:

Cuts and welds pipes:

Cleans the engine room:

Supervises the O/S and the A/B:

7. Name the following parts of the vessel: (14 points)

1.:

8.:

2.:

9.:

3.:

10.:

4.:

11.:

5.:

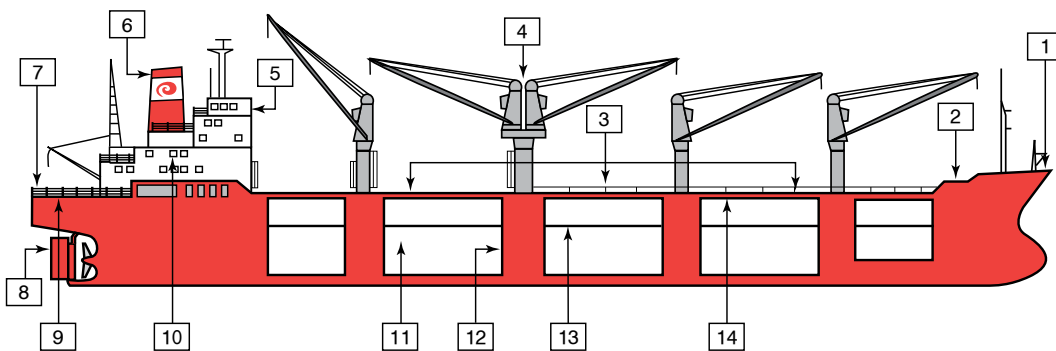
12.:

6.:

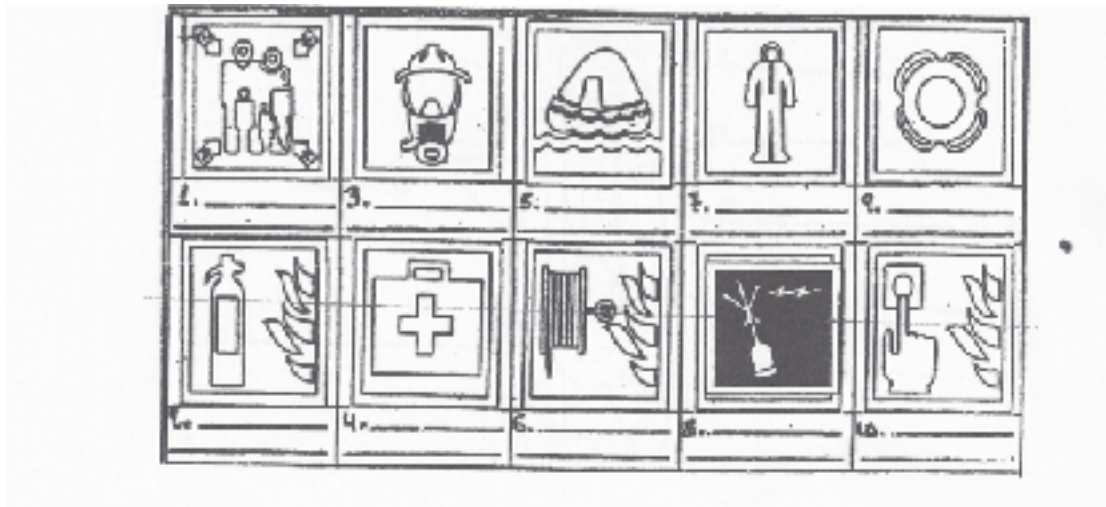
13.:

7.:

14.:



8. Name the following life saving equipment. (10 points)



- 1.
- 2.
- 3.
- 4.
- 5.
- 6.
- 7.
- 8.
- 9.
- 10.

9. Name the parts of the 2-stroke D.E (14 points)

