

ΕΞΕΤΑΣΤΙΚΗ ΠΕΡΙΟΔΟΣ ΙΟΥΝΙΟΥ 2023

ΜΑΘΗΜΑ ΝΑΥΤΙΚΑ ΑΓΓΛΙΚΑ Ι, Α ΕΞΑΜΗΝΟΥ

ΘΕΜΑΤΑ

EXERCISE A. Pick the correct choice. (6 points)

1. MAYDAY is used to announce a/an message.
 - Urgency
 - Safety
 - Distress
 - Emergency
2. PAN PAN is used to announce a/an message.
 - Urgency
 - Safety
 - Distress
 - Emergency
3. We will take two tugs. Send the lines to the tugs.
 - life
 - cable
 - mooring
 - towing
4. SART is a and Rescue Transponder.
 - Search
 - Survival
 - Ship
 - Shore
5. Walk out the anchor. Reverse the action of the to lower the anchor until it is ready for dropping.
 - crane
 - derrick
 - winch
 - windlass
6. This is MV Ace. I have a heavy to starboard.
 - incline
 - tilt
 - list
 - declination
7. A vessel which is turned over is called
 - Capsized
 - Wreck
 - Derelict
 - Disabled
8. A vessel adrift moves uncontrollably at sea under the influence of, tide or wind.
 - rolling
 - swell
 - wave
 - current

9. The major uncontrolled flow of seawater into the vessel is called
- Leak
 - Flooding
 - Overflow
 - Spill
10. The navigable part of a waterway is called
- fairway
 - canal
 - route
 - sea lane
11. Large vessel is leaving the fairway – of the fairway approach.
- Close up
 - Give way
 - Keep clear
 - Walk off
12. A vessel unable to manoeuvre as required by the COLREGs is
- Not Under Command
 - Adrift
 - Capsized
 - Derelict
13. A vessel still afloat, abandoned at sea is called
- wreck
 - derelict
 - disabled
 - hampered
14. Secure the cord of number 2 liferaft.
- inflation
 - operation
 - enlargement
 - expansion
15. To throw goods overboard to lighten the vessel or improve its stability in case of emergency is called
- cargo shifting
 - refloating
 - jettison
 - leeward
16. An object such as a wreck, net, etc., which blocks a fairway, route, etc. is called
- obstruction
 - obstacle
 - blockage
 - barrier
17. To pick up shipwrecked persons is to them.
- regain
 - retrieve
 - recover
 - salvage
18. To decrease the distance to the vessel ahead by increasing your own speed is to
- Close up
 - Drop back
 - Keep back
 - Let go

19. To pull a vessel off after grounding is to
- reflow
 - refloat
 - repull
 - reground
20. To maintain course and speed is to
- Stand in
 - Stand by
 - Stand on
 - Stand with
21. To sail or head for a certain position or to continue with the voyage is to
- Move forward
 - Overtake
 - Pass through
 - Proceed
22. What are the missing words in the following message? "Warning. Dangerous uncharted wreck in position 15 degrees 34 _____ North 061 degrees 29 _____ West."
- Minutes Minutes
 - Seconds Seconds
 - Direction Direction
 - Course Course
23. A _____ is a person who continues to live in spite of being in a shipping disaster.
- Victim
 - Castaway
 - Casualty
 - Survivor
24. To _____ is to evacuate crew and passengers from a vessel following a distress.
- Disembark vessel
 - Abandon vessel
 - Assemble vessel
 - Desert vessel
25. What is the correct way to spell the call sign? The vessel's call sign is CUOM8.
- Charlie Unicorn Oscar Mike Eight
 - Charlie Uniform October Mike Eight
 - Charlie Uniform Oscar Mike Eight
 - Charlie Unisex Oscar Mike Eight
26. Choose the word which does NOT belong to the group.
- Traffic separation
 - Itinerary
 - Fairway
 - Lane
27. VTS authorization for a vessel to proceed under conditions specified is called:
- Traffic permit
 - Traffic approval
 - Traffic go-ahead
 - Traffic clearance
28. A line displayed on the radar screens and electronic charts separating traffic for inbound and outbound vessels so that they can safely pass each other:
- Receiving line
 - Reference line
 - Retrieval line
 - Reporting line

29. Boarding arrangements do not follow SOLAS requirements, the pilot ladder has broken

- bars
- beams
- steps
- spreaders

30. You are on a collision course. Advise you a new course.

- steer
- navigate
- depart
- manoeuvre

EXERCISE B. Complete the text with the words given (there are extra words) (1 p.)

**pilot/ muster/ maintenance/ review/ abandon/
emergency/ embarkation/ watchkeeping/ equipment**

Deck cadets assist with (1)___ on the bridge and, also, are involved on deck with activities related to the (2)___ of the ship. There are fire drills and (3)___ ship drills. The cadet has a station bill card where you read what your duties are in (4)___ situations. You must carry your safety equipment and go to the (5)___ station.

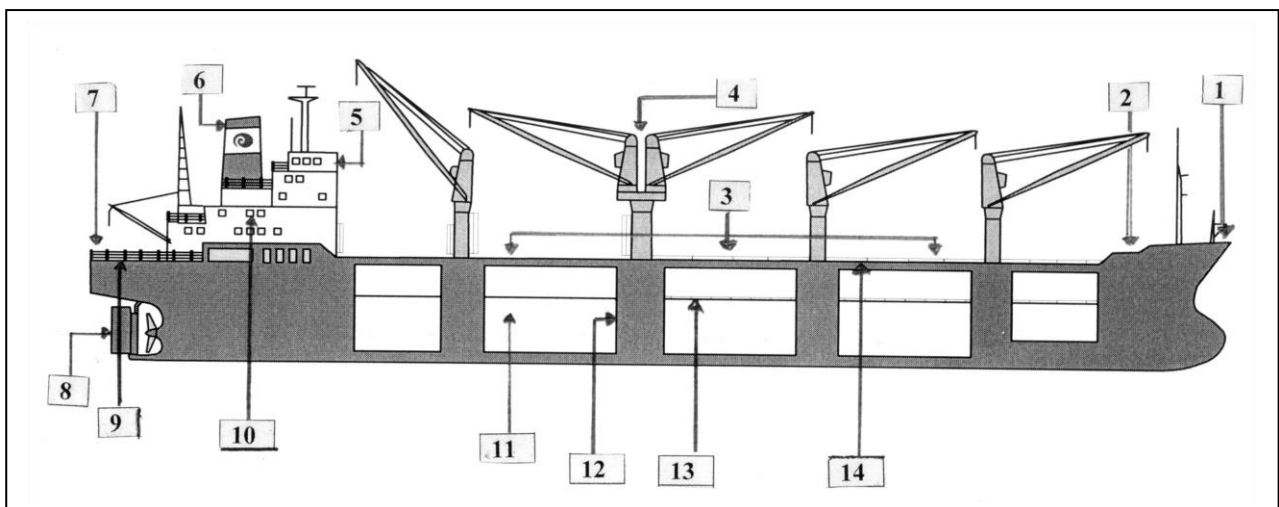
EXERCISE C. What do the following acronyms stand for? (1 point)

1. GMDSS
2. ETA
3. OOW
4. EPIRB
5. LSA

EXERCISE D. Answer the following questions. (0,6 p.)

- What are the duties of the Master?
- What are the duties of the Safety Officer?

EXERCISE E. Write the name of the parts of the ship: (1,4 points)



Οι εισηγήτριες
Ιφιγένεια Αθανασιάδου, Μαρία Παναγοπούλου, Παρασκευή Παπαλεωνίδα

GOOD LUCK!