

ΕΞΕΤΑΣΤΙΚΗ ΠΕΡΙΟΔΟΣ ΜΑΡΤΙΟΥ 2019,
ΜΑΘΗΜΑ ΝΑΥΤΙΚΑ ΑΓΓΛΙΚΑ Α ΕΞΑΜΗΝΟΥ

ΘΕΜΑΤΑ

EXERCISE A: WRITE THE IMO SMCP TERM: [20]

1. Vessel turned over
2. Vessel moving uncontrollably by current, tide or wind
3. Vessel secured in a particular place by means or wires or ropes made fast to the shore, to anchors, or to anchored mooring buoys
4. Vessel destroyed, sunk, or abandoned at sea
5. Vessel unable to manoeuvre as required by the COLREGs
6. Vessel which is not at anchor or made fast to the shore, or aground
7. A position a vessel has to pass or alter course according to the passage plan
8. To assemble crew, passengers or both in a special place for purposes of checking
9. To lower lifeboats to the water
10. Depth in water at which a vessel floats

EXERCISE B: WRITE WHAT THE ABBREVIATIONS STAND FOR. [10]

VTS, UTC, GMDSS, EPIRB, TSS

EXERCISE C: EXPLAIN THE FOLLOWING IMO SMCP TERMS (in English). [6]

1. Escape route
2. Flooding
3. To inert

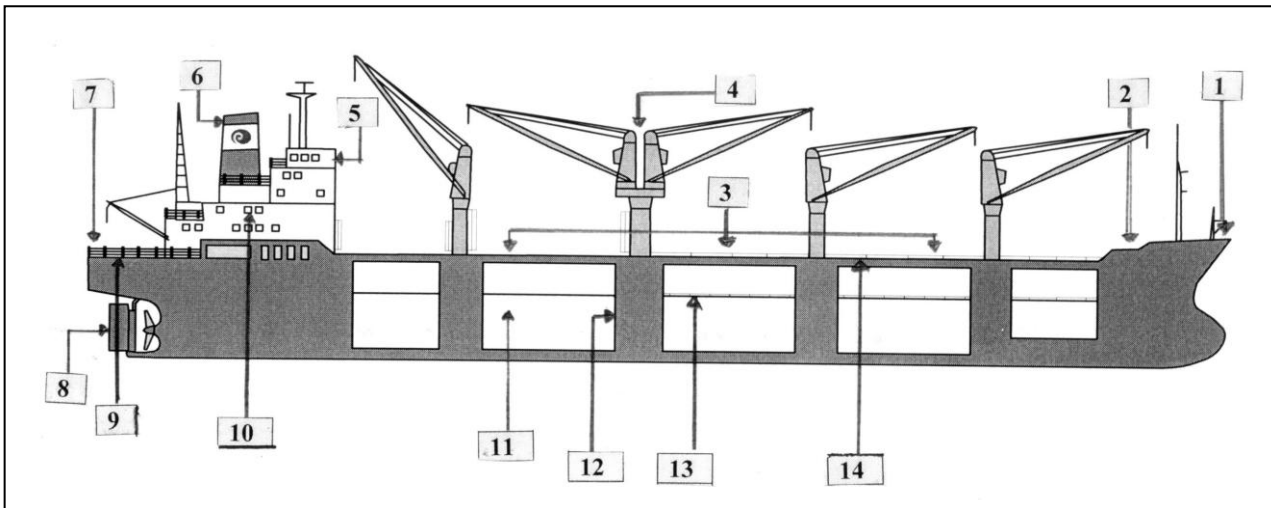
EXERCISE D: WRITE THE APPROPRIATE SAFETY EQUIPMENT [10]

1. Visual signal you use it to attract attention when you are in lifeboat
2. You need it in the cold sea to protect you from hypothermia
3. You need it to spray water/powder to a fire
4. You throw it to the person overboard to keep them afloat
5. It is inflatable, stored in a canister on board and used for abandoning the vessel in case of emergency

EXERCISE E: COMPLETE THE INFORMATION IN THE TABLE BELOW: [12]

<u>TYPE OF SHIP</u>	<u>CARGO (TYPE AND EXAMPLES)</u>	<u>CARGO IS CARRIED IN/ON</u>	<u>HOW IS CARGO LOADED?</u>	<u>SPECIAL STRUCTURAL FEATURES</u>
<u>DRY BULK CARRIER</u>				
<u>CONTAINER SHIP</u>				
<u>TANKER</u>				

EXERCISE F: WRITE THE NAME OF THE PARTS OF THE VESSEL SHOWN BY ARROWS [14]



EXERCISE G. FILL IN THE MISSING WORDS. THE FIRST LETTER IS GIVEN. (10)

1. A wind is v..... when it is constantly changing speed and direction.
2. To be on the sheltered side of the ship is called l.....
3. F... of anchor is when the anchor has its own cable twisted around it.
4. The o.... in charge of the engine room is the Chief Engineer.
5. The OS is a r... who is a member of deck department.

EXERCISE H: ANSWER THE FOLLOWING QUESTIONS.(8)

1. What are the duties of the Navigation Officer?
2. What are the duties of the Safety Officer?
3. What are the duties of the AB?
4. What are the duties of the Bosun?

EXERCISE I: NAME SOME PLACES ON THE SHIP'S ACCOMMODATION: (10 points)

- 1.All the navigation activities take place there, electronic navigation equipment can be found there :.....
- 2.Safety meetings take place there:
3. Meals are served there for the members of the crew:
- 4.The cook cooks there:
- 5.On the two sides of the bridge, they offer good visibility aft:.....

GOOD LUCK!

Total: 100 points

Οι Εισηγήτριες:
Μαρία Παναγοπούλου, Παρασκευή Παπαλεωνίδα