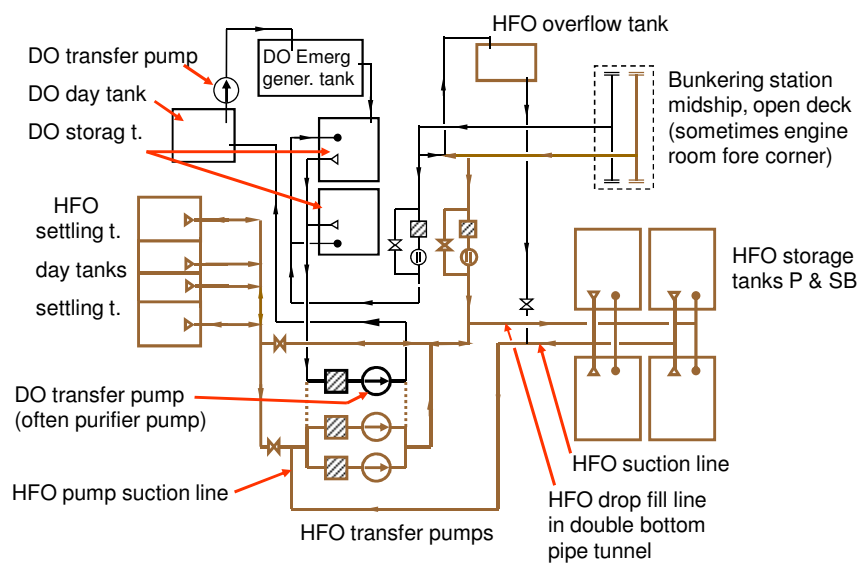


Fuel Oil Systems

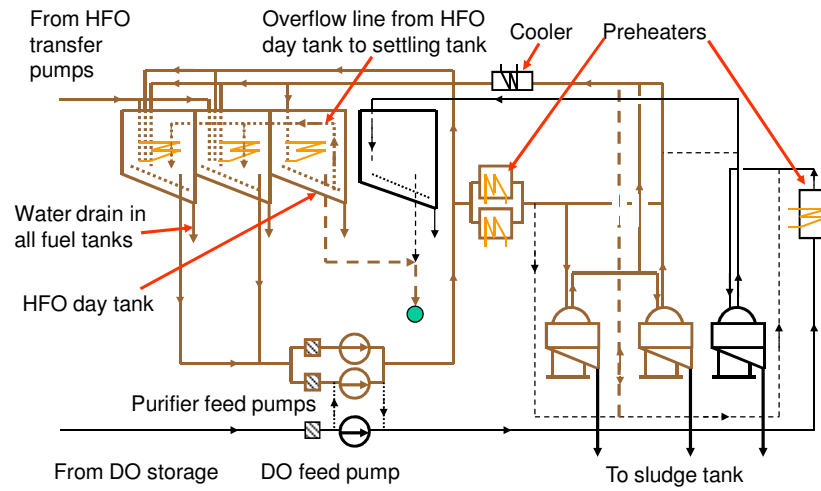
Fuel Oil Systems consist of:

- Storage Tanks
- Pumps
- Heaters
- Strainers
- Measuring and control devices
- Piping

Fuel Oil Bunkering and Storage



Fuel Oil Transfer and Purifying

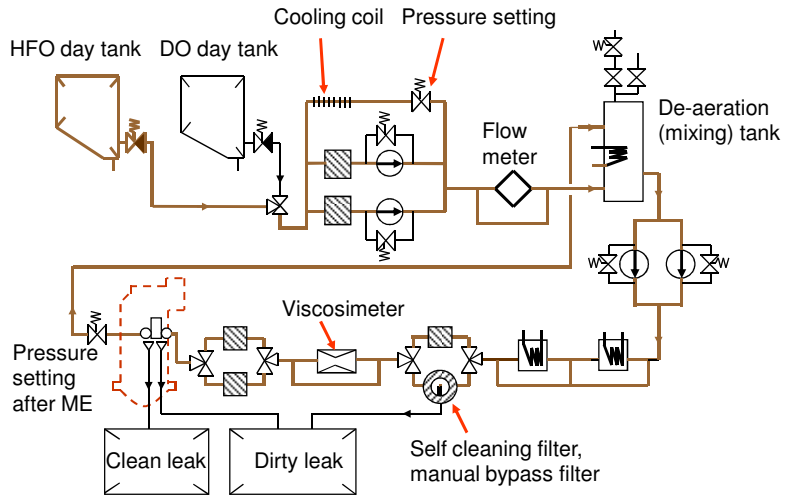


Separate day tanks for HFO and MDO

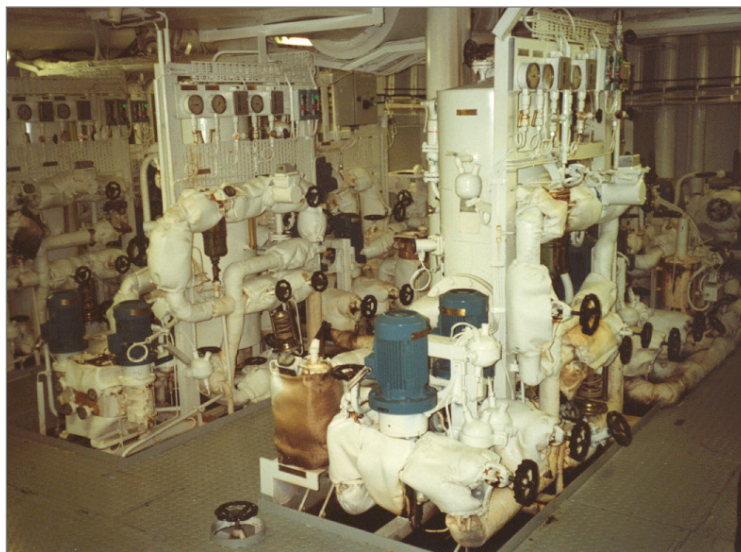
Fuel Oil Transfer and Purifying



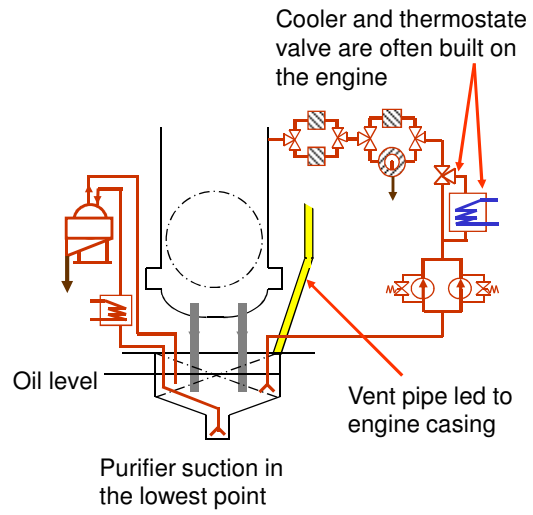
Fuel Oil Feeder Systems



Fuel Oil Feeder Systems



Lubrication Oil Systems



Lubrication Oil Systems

