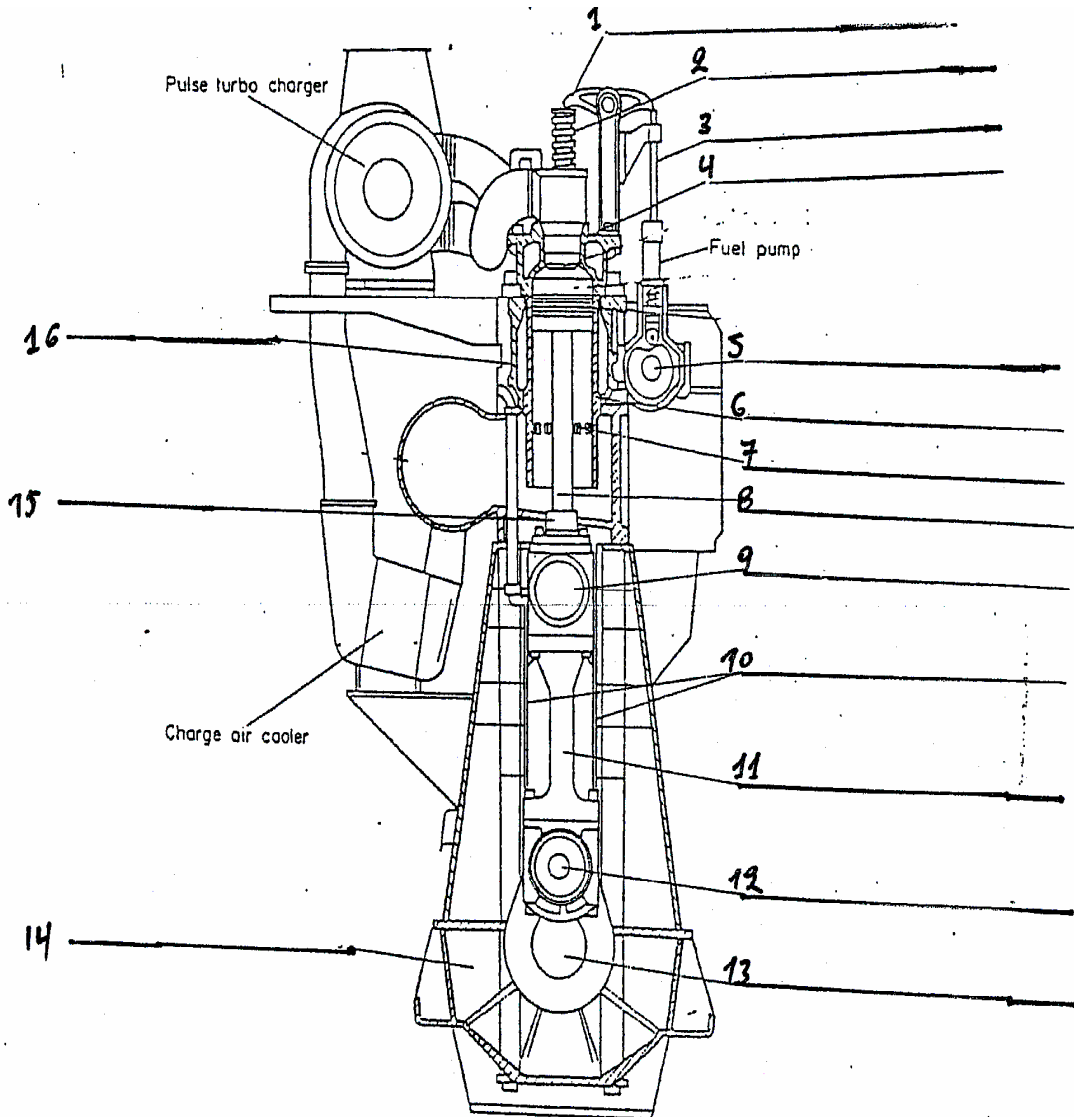


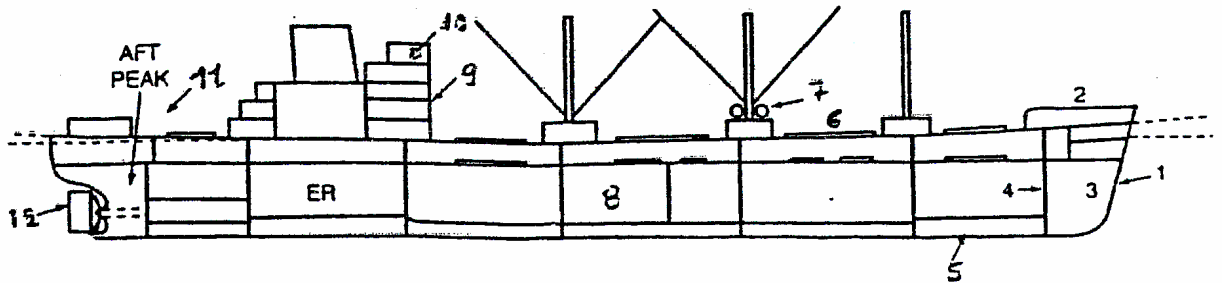
**MERCHANT MARINE ACADEMY OF MACEDONIA
SCHOOL OF ENGINEERS
FINAL EXAMINATION IN ENGLISH
Semester A' FEBRUARY 2013**

NAME: _____



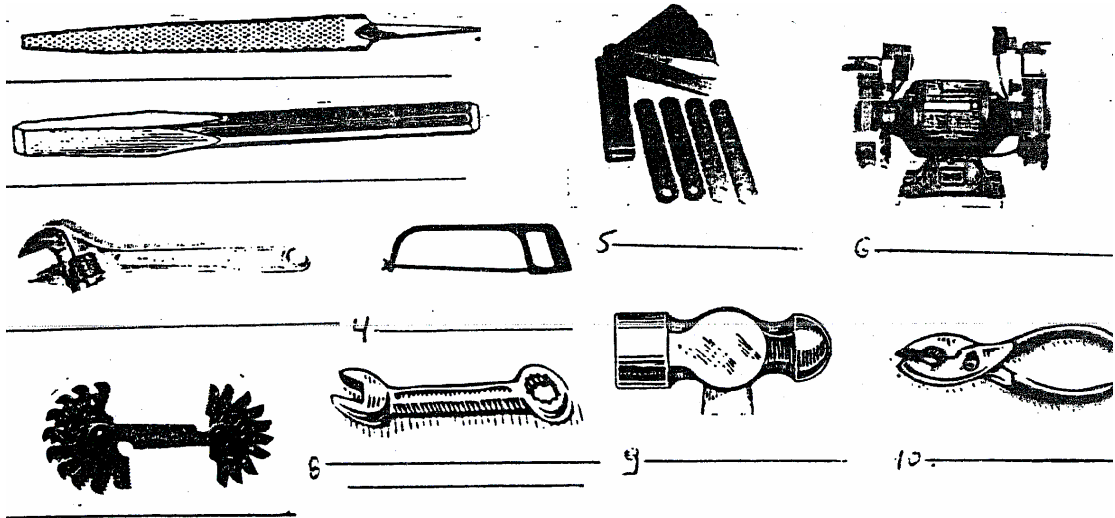
A) Label the engine's components and write the function of the following components. (No 4, 5, 9, 11, 14, 16) (25p)

B) Identify the numbered parts of the vessel (15p)



1.	4.	7.	10.
2.	5.	8.	11.
3.	6.	9.	12.

C) Identify the following tools and answer the questions (15p)

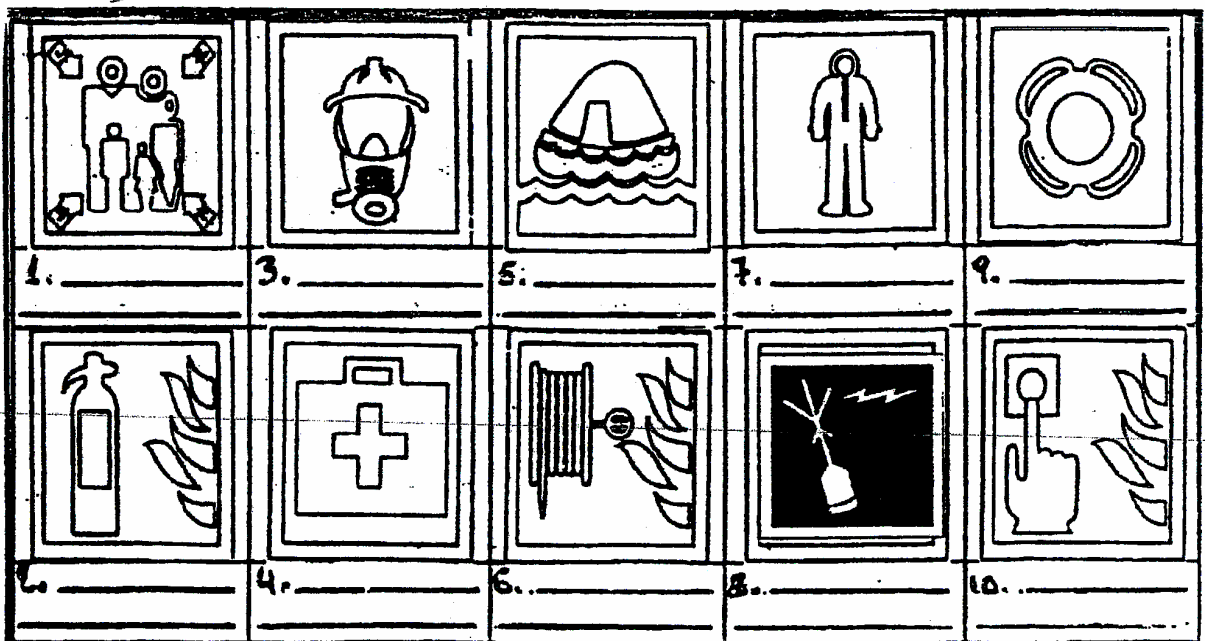


1. Which of the above tools are used for cutting metal?: _____
2. Which one is used to measure narrow gaps?: _____
3. Which ones are used to loosen or tighten nuts?: _____
4. Which one is used to determine the pitch of screw threads?: _____
5. Which one is used to smoothen a hard material?: _____

D) Find the ships which carry the following types of cargo: (15 points)

1. Dry loose cargo such as grain, coal, iron, ore etc.:
2. Liquid loose cargo such as crude oil, diesel oil etc.:
3. Any type of cargo packed in containers of standard dimensions:
4. Any type of cargo packed in boxes or pieces of machinery, steel coils, rolls of wire etc.:
5. Barges (lighters):
6. Different types of vehicles:
7. Very large tankers which carry crude oil:
8. Liquefied natural gas:
9. Passengers and cars:
10. Products which need refrigeration:

E. Name the following life saving equipment (10 points)



F. Answer one of the following questions (20 points)

1. Describe how the motion from the piston is transferred to the propeller.
2. Write a dialogue between you and the 3rd engineer introducing yourself and asking about life and work on board.