

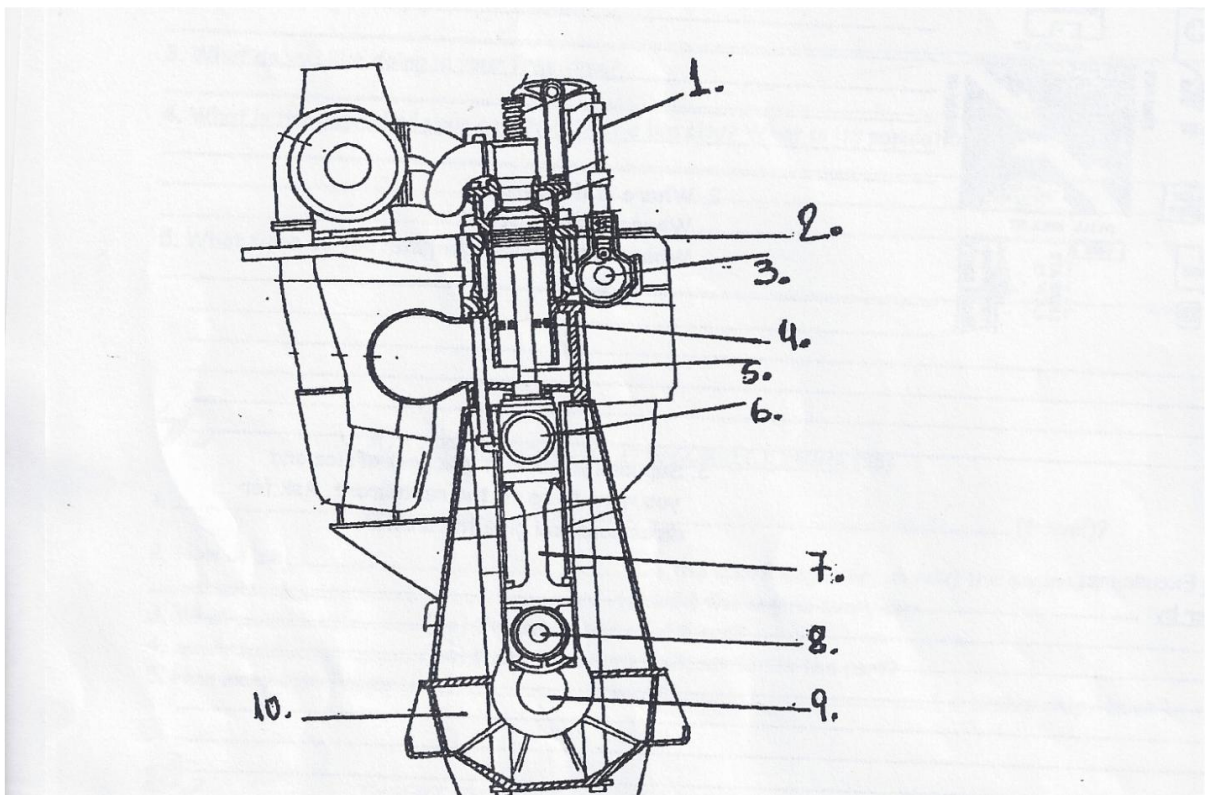
**MERCHANT MARINE ACADEMY OF MACEDONIA
SCHOOL OF ENGINEERS**

STUDENT'S FULL NAME:
STUDENT NUMBER:

Academic year: 2013-2014
Exam period: February
Date: 5/2/2014
Semester: A
Instructor's name: Dr M. Tsompanoglou

FINAL TEST in English

1. Name the parts 1-10 in the following diagram of a 2-stroke diesel engine. (15 points)



2. Find the parts of the diesel engine from their function below. (15 points)

It connects the piston rod to the connecting rod:

It connects the connecting rod to the crankshaft:

It protects the cylinder and reduces friction:

It cools the cylinder externally:

It opens the valves:

It changes the reciprocating motion of the piston into rotating motion:

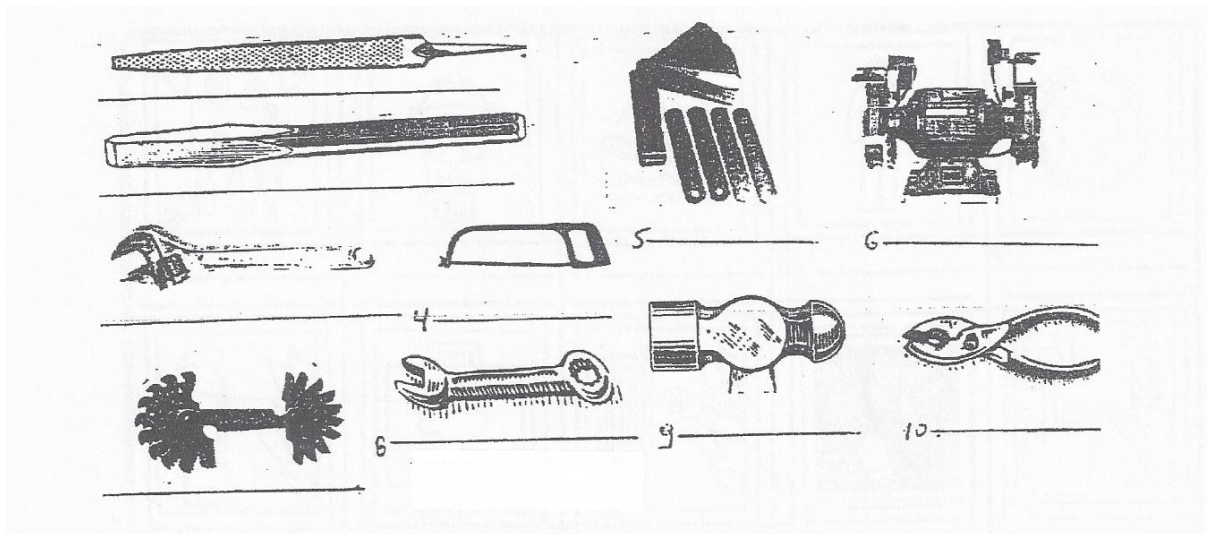
The gases escape through this valve:

The lubricating oil is kept in here:

It houses all the valves:

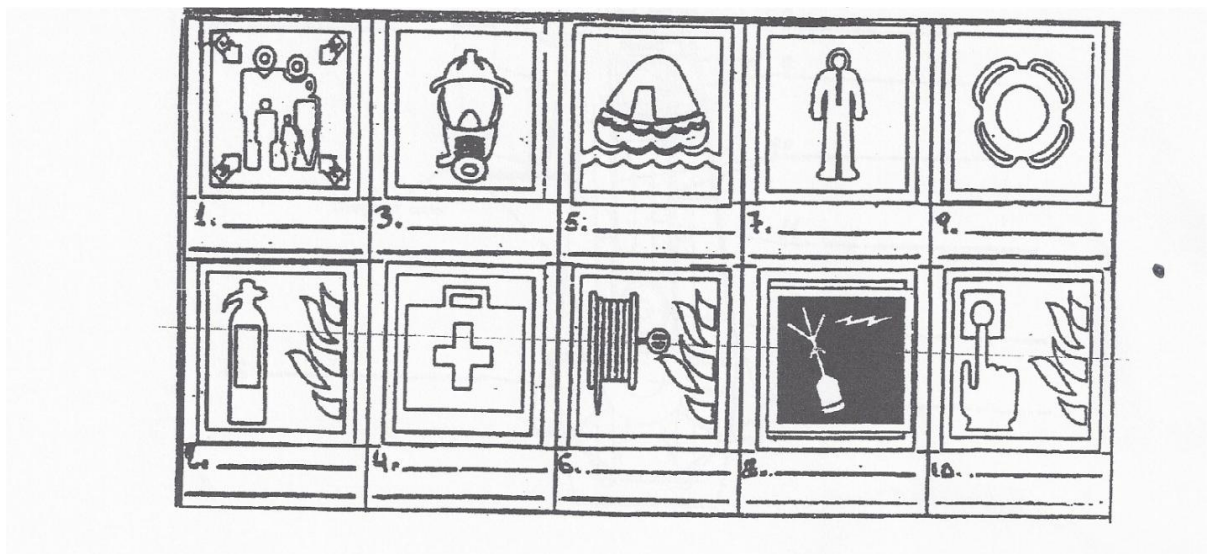
It connects the piston to the connecting rod:

3. Identify the following tools and then answer the questions: (20 points)



- Which of the above tools are used for cutting metal?
- Which one is used to measure narrow gaps?
- Which ones are used to loosen or tighten nuts?
- Which one is used to determine the pitch of screw threads?
- Which one is used to smoothen a hard material?

4. Name the following life saving equipment. (15 points)



5. Complete the sentences with a suitable preposition: *with, for, aft, below, of, on, in.* (10 points)

- Are you familiar the LSA?
- When you enter the lifeboat, you must be equipped your lifejacket.
- The bosun is responsible the deck ratings.
- The superstructure is the main deck of a vessel.
- The chief engineer's office is the port side of the ship.

Bulk carriers transport their cargo bulk.
 the forecastle, inside the bulbous bow, there is a forepeak tank.
 The engine room is the superstructure of the ship.
 Feeler gauges consist a number of thin blades.

6. Complete the sentences with the correct form of the words in parentheses. (10 points)

The of the vessel is 20 metres and the overall is 200 metres. (broad, long)
 ropes are used to fasten the ship to the quay. (moor)
 In the 4-stroke diesel engine one cycle of of the engine is completed in 4 strokes of the piston. (operate)
 Liferafts are (inflate)
 A mallet is a hammer with a or plastic head. (wood)
 The Wartsila-Sulzer RTA96-C is one of the most engines in the world today. Its total engine is 2300 tons. Its is 89 feet. Its fuel is 1,660 gallons of heavy oil per hour. (power, weigh, high, consume)

7. Name the following parts of a vessel. (10 points)

The space where the cargo is held: c..... h.....
 The opening on the deck of a vessel that provides access to the cargo hold: h.....
 The whole body of the ship: h.....
 A tool for changing the direction, or the heading of the ship: r.....
 All navigational activities take part in it: b.....
 It lifts the cargo: c.....
 The front part of a vessel: b.....
 The rear of a vessel: s.....
 The raised “house” containing the bridge and the accommodation: s.....
 A wall that separates one part of the ship from another: b.....

8. Match the following words. In the 2nd column write the correct kind of the vessel from the 1st column. (5 points)

Ro-Ro ship	Carries vehicles:
Reefer	Carries liquefied petroleum gas:
LPG	Carries cargo in “boxes”:
LASH Vessel	Tows other vessels:
Ice breaker	Carries unpacked cargo:
Tug	Carries refrigerated cargo:
Dry Bulk Carrier	Carries cargo in break-bulk form:
Container	Carries lighters aboard ship:
General Cargo Ship	Transfers the pilot to the ship:
Pilot boat	Crushes a way through ice:

