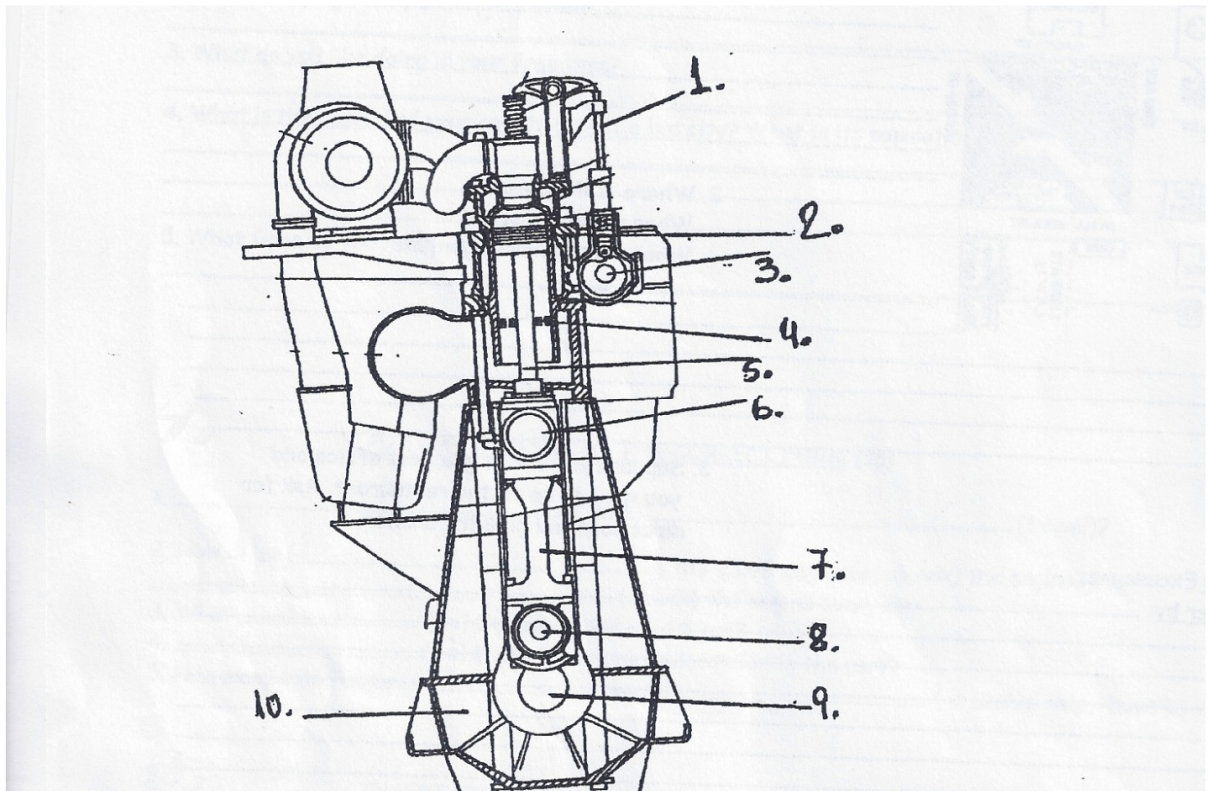


FINAL TEST in English

1. Name the parts 1-10 in the following diagram of a 2-stroke diesel engine. (15 points)



2. Match the parts of the diesel engine to their functions. (15 points)

1. crankshaft	a. opens the valves
2. camshaft	b. reduces friction
3. piston	c. compresses the air
4. cylinder liner	d. supports the whole engine
5. piston rod	e. reciprocates in the stuffing box
6. connecting rod	f. rotates and gives motion to the propeller
7. bedplate	g. gives rotating motion to the crankshaft
8. crosshead	h. connects the piston rod to the connecting rod
9. piston pin	i. connects the piston to the connecting rod
10. crank pin	j. connects the connecting rod to the crankshaft

3. Underline the correct choice. (10 points)

1. We use a (screwdriver, spanner, hammer) to tighten or loosen a nut.
2. A pair of (pliers, calipers, dividers) is used to measure thicknesses.
3. We smoothen and shape a surface with a (scraper, reamer, file).
4. For hexagonal screws we use a(n) (Allen key, open-ended spanner, ratchet wrench).
5. With a (screw-pitch gauge, feeler, reamer) we measure very small distances.
6. In order to hold an object firmly in its place while work is done, we use a (grinder, fitter's vice, lathe).
7. In order to cut internal threads we use (cutters, taps, snips).
8. Diesel engines are (spark-ignited engines, compression-ignited engines).
9. In the 2-stroke diesel engine one cycle of operation is completed in (one, two) revolutions of the crankshaft.
10. The camshaft is connected to the rocker arm with the (push rod, piston rod, connecting rod).

4. Name the following parts of a vessel. (15 points)

The space where the cargo is held: c..... h.....

The opening on the deck of a vessel that provides access to the cargo hold: h.....

The whole body of the ship: h.....

A tool for changing the direction, or the heading of the ship: r.....

All navigational activities take part in it: b.....

It lifts the cargo: c.....

The front part of a vessel: b.....

The rear of a vessel: s.....

The raised "house" containing the bridge and the accommodation: s.....

A wall that separates one part of the ship from another: b.....

5. Write the names of the vessels that do the following: (15 points)

It carries liquefied natural gas: _____

It transfers the pilot to the ship: _____

It carries passengers and cars: _____

It carries any type of cargo in "boxes": _____

It carries dry loose cargo such as grain, iron, ore etc.: _____

It carries liquid loose cargo such as crude oil, diesel oil, etc.: _____

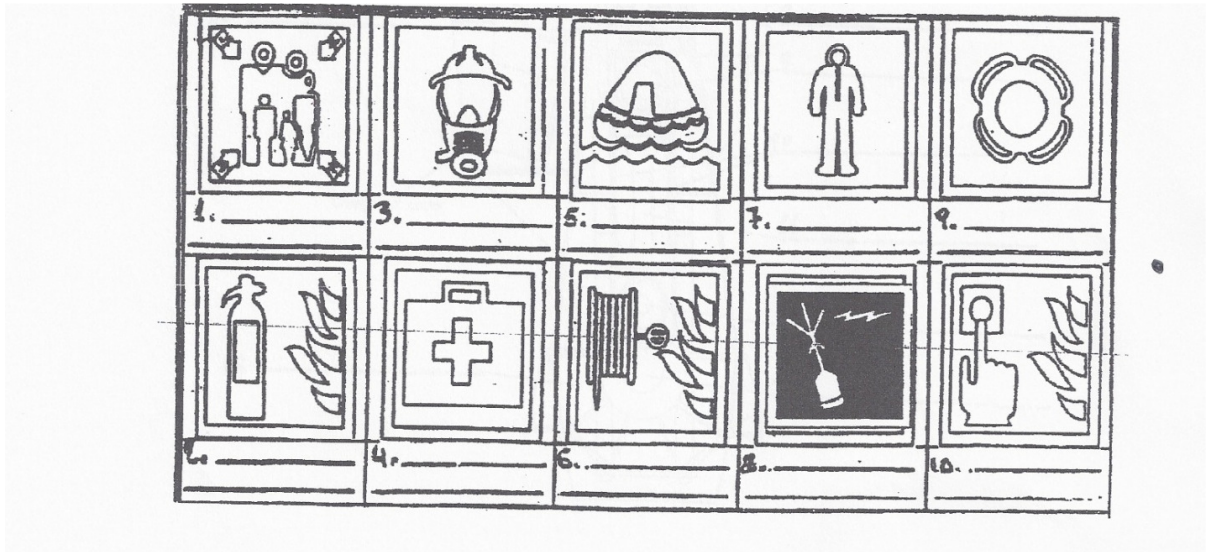
It carries vehicles: _____

It carries refrigerated cargo: _____

It tows other vessels: _____

It crushes a way through ice: _____

6. Name the following life saving equipment. (10 points)



7. Complete the sentences with the correct form of the words in parentheses. (10 points)

There is a great of hatch covers. (vary)
 Who is for supervising the Engine Room? (responsibility)
 Go and meet the at the ladder. (inspect, embark)
 The of the vessel is 20 metres and the overall is 200 metres.
 (wide, long)
 Where is the Chief (cook)?
 The 3rd engineer is responsible for the smooth of all engine room systems.
 (operate)
 He is also in charge of electrical systems,,, fuel, and feed systems. (generate, boil)

8. Find the missing words. Choose from the following:

galley, camshaft, drill, messroom, capacity, cylinder, container, knots, routes, personnel

(10 points)

..... ships can make holes on the seafloor.
 Ferries operate on short sea

On a vessel the place where people eat is called:

On a vessel the place where the cook cooks is called:

..... ships carry their cargo in special "boxes".

The Capricorn makes a speed of 14 Her grain is 328500 cubic feet.

The Chief Engineer is responsible for the E/R

The liner protects the cylinder by reducing friction.

The carries the cams which operate the fuel pumps and exhaust valves.