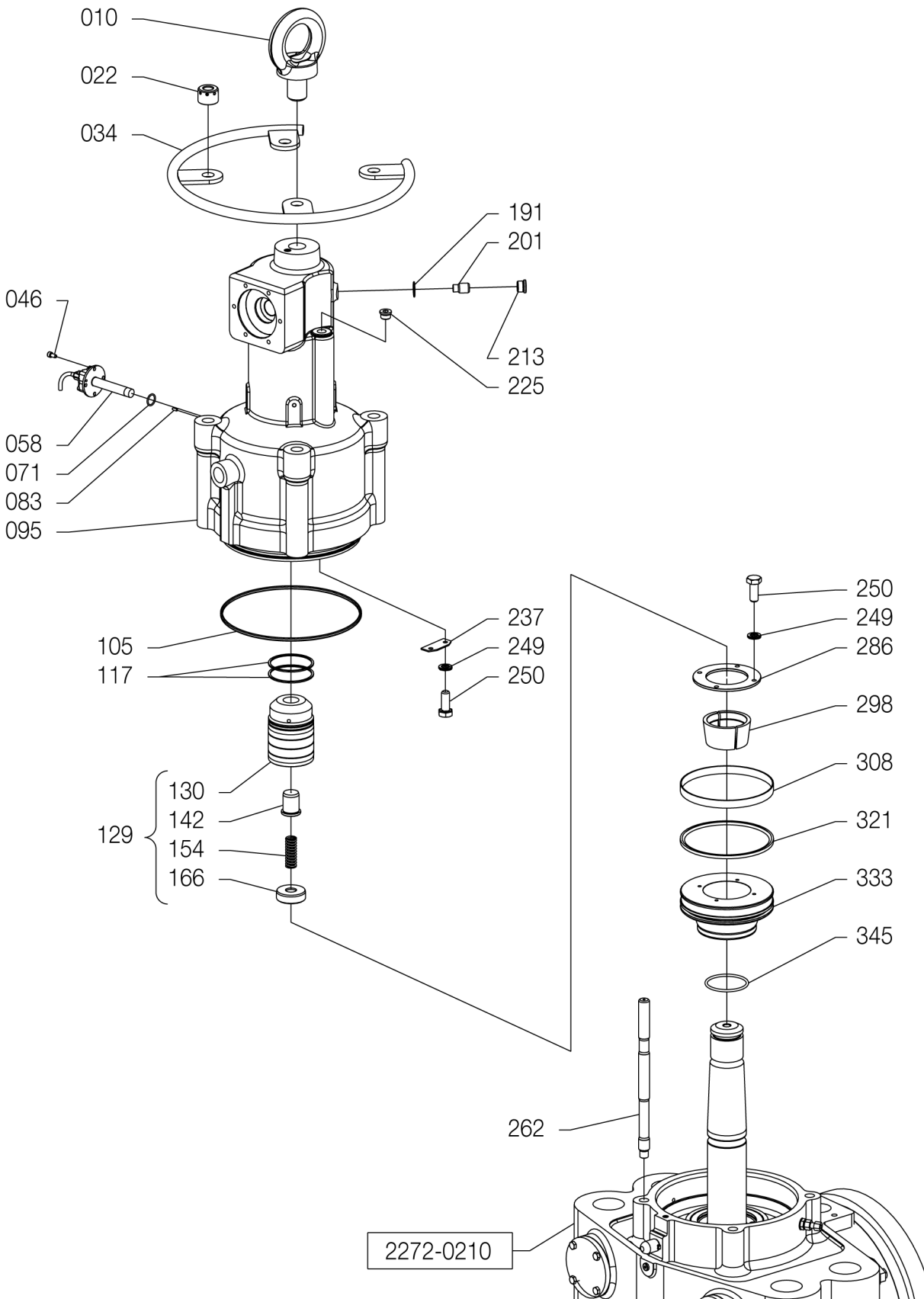


Exhaust Valve, Upper Part  
Plate  
2272-0200-0011



2012-06-22 - en

