

ΕΞΕΤΑΣΤΙΚΗ ΠΕΡΙΟΔΟΣ ΜΑΡΤΙΟΥ 2018,
ΜΑΘΗΜΑ ΝΑΥΤΙΚΑ ΑΓΓΛΙΚΑ Α ΕΞΑΜΗΝΟΥ

ΘΕΜΑΤΑ

EXERCISE A: WRITE THE IMO SMCP TERM: [10]

1. Vessel secured by ropes or made fast to the shore or anchors
2. Vessel moving uncontrollably by current, tide or wind
3. Vessel still afloat, abandoned at sea
4. Vessel destroyed, sunk, or abandoned at sea
5. Vessel unable to manoeuvre as required by the COLREGs

EXERCISE B: WRITE WHAT THE ABBREVIATIONS STAND FOR. [16]

GMDSS, SWL, CPA, EPIRB, TSS, ETA, SART,LSA

EXERCISE C: WRITE THE TERMS FOR THE FOLLOWING IMO SMCP DEFINITIONS. THE FIRST LETTER IS GIVEN. [10]

1. C..... P.....	South, West, East, North
2. J.....	To throw overboard goods to lighten the vessel or improve its stability.
3. S.....	The accidental escape of oil into the sea
4. B..... A.....	All gear necessary for the safe transfer of the pilot
5. T..... C.....	VTs authorisation for a vessel to proceed under conditions specified
6. W.....	A mark/ position a vessel is required to report at, to establish its position
7. L.....	To lower, e.g. lifeboats, to the water
8. P.....	To continue with the voyage or sail for a certain direction
9. O.....	Ready for immediate use
10. O.....	Something that blocks the passage of a ship through a fairway

EXERCISE D: EXPLAIN THE FOLLOWING IMO SMCP TERMS (in English). [10]

1. PA system,
2. assembly station,
3. abandon ship drill
4. general emergency alarm

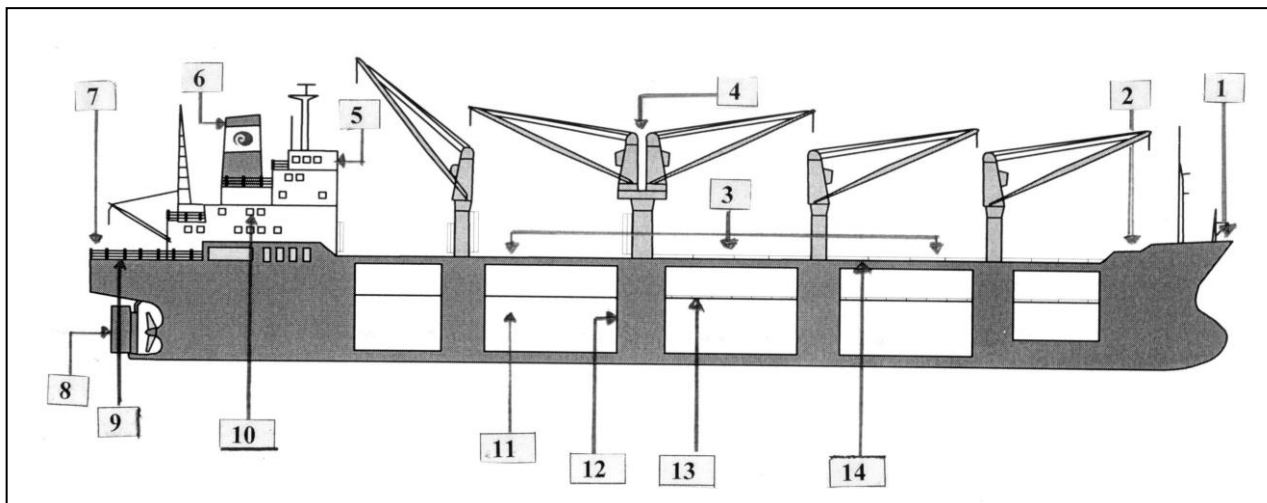
EXERCISE E: WRITE THE APPROPRIATE SAFETY EQUIPMENT [10]

1. You need it to carry injured people to the vessel's hospital
2. You need it in the cold sea
3. You need it to spray water/powder to a fire
4. You throw it to the person overboard to keep them afloat
5. You need it to help passengers abandon ship safely and quickly

EXERCISE F: COMPLETE THE SENTENCES, THE FIRST LETTER OF THE MISSING WORDS IS GIVEN. [10]

1. A VLCC carries c..... oil.
2. A b..... carrier carries grain, iron ore, minerals, etc.
3. A t.... boat tows big vessels to their berth.
4. A d... is a special duty vessel which widens and deepens channels
5. A s.... vessel is used for scientific research.

EXERCISE G: WRITE THE NAME OF THE PARTS OF THE VESSEL SHOWN BY ARROWS [14]



EXERCISE H. CHOOSE THE CORRECT UNDERLINED WORD: (10)

1. A wind is variable/ veering/ backing when it is constantly changing speed and direction.
2. To be on the sheltered side of the ship is called windward/ leeward/ leeway.
3. Twisted/ foul/ dredging of anchor is when the anchor has its own cable twisted around it.
4. The separation of goods which for different reasons must not be stowed together is called cargo segregation/ compatibility/ shifting.
5. SMCP : Standard Marine Co-ordination/ Communication / Co-operation Phrases
6. My first days onboard are for familiarization/ appointment/ adaptation.
7. You must fill in this appliance/ application/ employment form.
8. Reefer containers are used to carry cargo in freezer/ container/ general cargo ships.
9. Who is the rating/ officer/ official in charge of the ship's engines?
10. Do you have your seafarer's/ seaman's/ sailor's book?

EXERCISE I: FILL IN THE MISSING WORDS. USE THE WORDS GIVEN. (10)

extinguishers, maintenance, lookout, representative, publications, port, correction, helmsman, binoculars, order

- The Master is a (1) of the company, pays the crew and is responsible for the safety and well-being of the crew. S/he also deals with (2) officials.
- The Navigation officer is responsible for activities like chart (3), updating marine (4), making sure the bridge electronic equipment is in good working (5).
- The AB works on deck for cleaning, painting and (6). He also works on the bridge as a (7), steering the ship, or a (8), watching through the (9).
- The Safety officer inspects life-saving and fire-fighting equipment and makes sure all fire (10) are not expired.

EXERCISE J; NAME SOME PLACES ON THE SHIP'S ACCOMMODATION: (10 points)

1. You can eat there:
2. You can wash your cloths there:
3. You can get first aid there:
4. The cook cooks there:
5. On the two sides of the bridge, they offer good visibility aft:

GOOD LUCK!

Write you answers in the answer sheet provided.
Total: 100 points