

ΕΞΕΤΑΣΤΙΚΗ ΠΕΡΙΟΔΟΣ ΣΕΠΤΕΜΒΡΙΟΥ 2018,
ΜΑΘΗΜΑ ΝΑΥΤΙΚΑ ΑΓΓΛΙΚΑ Ι, Α ΕΞΑΜΗΝΟΥ
ΘΕΜΑΤΑ

EXERCISE 1. Fill in with the following word (there are extra words): (1,2 point)

pilot/ muster/ maintenance/ review/ abandon/ emergency/ embarkation/ watchkeeping/ equipment/ navigation

Deck cadets assist with (1)___ on the bridge and, also, are involved on deck with activities related to the (2)___ of the ship. There are fire drills and (3)___ ship drills. The cadet has a station bill card where you read what your duties are in (4)___ situations. You must carry your safety (5)___ and go to the (6)___ station.

EXERCISE 2. Fill in this card with your personal information: (0,5 p.)

❖ SURNAME:

❖ GENDER:

❖ OCCUPATION:

❖ NATIONALITY:

❖ MARITAL STATUS:

EXERCISE 3. Choose the correct alternative. (0,5 p.)

1. To set free or cast off anchors, lines, etc. is to let off/ let go.
2. To pull a vessel off after grounding is to refloat/ reflow.
3. To keep a boat away from the vessel is to keep clear/ stand clear.
4. To maintain course and speed is to stand in/ stand on.
5. To be in readiness or prepared to execute an order is to stand in/ stand by.

EXERCISE 4. Write the correct term for each definition: (there are extra words) (0,5 P.)

Traffic Clearance/ Operational/ Transit/ Waypoint/ Windward/ Off station/ Boarding arrangements/ Spill

1. The accidental escape of oil into the sea
2. All gear necessary for the safe transfer of the pilot
3. Ready for immediate use
4. A buoy not in the position charted
5. The passage of a vessel through a canal.

EXERCISE 5. What can you see in each picture below? What is the use of each item? (0,5 p.)



1. This is a ... It is used to



2. This is a It is used to ...

EXERCISE 6. What do the following acronyms stand for? (1 point)

VTS, GMDSS ,COW, OOW, SART

EXERCISE 7. Write the SMCP Glossary term for each of the following definitions: (1 p.)

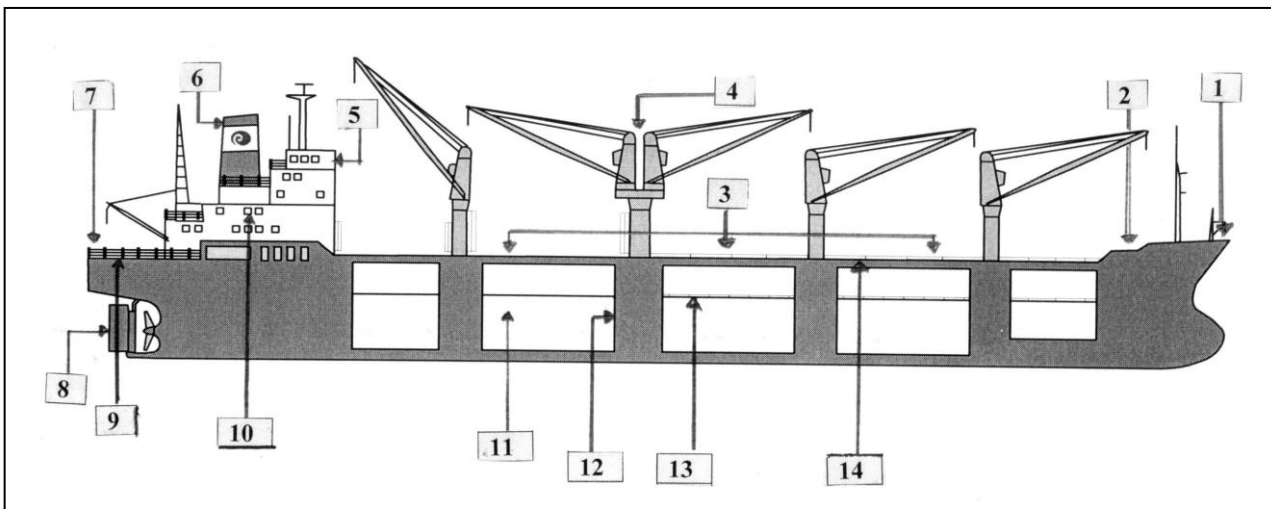
- (1)-Vessel secured by ropes or made fast to the shore,
- (2)-Vessel moving uncontrollably by current, tide or wind,
- (3)-vessel unable to manoeuvre as required by the COLREGs,
- (4)-vessel damaged in such a manner that is incapable of proceeding,
- (5) vessel still afloat, abandoned at sea

EXERCISE 8. Write the duties of the navigation officer and the safety officer (1 point)

EXERCISE 9. Write the missing words (the first letter is given): (1 p.)

- (1) The traffic separation scheme provides traffic l..... for ingoing and outgoing vessels.
- (2) F.... is all the ships of a nation or a company
- (3) The navigable part of a waterway is called f...
- (4) To lower, e.g. lifeboats, to the water is called l...
- (5) To throw goods o.... in order to lighten the vessel or improve stability is called jettison.

EXERCISE 10. Write the name of the parts of the ship: (2,8 points)



Οι εισηγήτριες
Μ. Παναγοπούλου, Π. Παπαλεωνίδα