

ΕΞΕΤΑΣΤΙΚΗ ΠΕΡΙΟΔΟΣ ΜΑΡΤΙΟΥ 2018,
ΜΑΘΗΜΑ ΝΑΥΤΙΚΑ ΑΓΓΛΙΚΑ Α ΕΞΑΜΗΝΟΥ

ΘΕΜΑΤΑ

EXERCISE A: ARE THE FOLLOWING STATEMENTS TRUE OR FALSE, ACCORDING TO THE TEXT? [2 points]

[article from BBN: BREAKBULK.NEWS, 9 OCT 2023]

Two bulk carriers, the SKIPPER PLANET and CUMA, collided in the Aegean Sea at approximately 0305 UTC on October 8, 2023, just 12 nautical miles west of the western tip of Ikaria Island, Greece. The vessels were sailing in opposite directions when the collision occurred, prompting both ships to interrupt their voyages.

As of 0850 UTC, both vessels were still underway but headed in a western direction, presumably towards a location in Greek waters for inspection. The extent of the damages to the ships remains undisclosed at this time. Despite continuing their journeys, both vessels are operating at reduced speeds. Notably, the SKIPPER PLANET appears to have sustained more substantial damage, with her current status marked as NUC (Not Under Command). The SKIPPER PLANET was en route from Egypt to Istanbul, with a subsequent destination in Russia. On the other hand, the CUMA was on a journey from Bulgaria to Indonesia. The collision has undoubtedly disrupted the schedules and plans of these bulk carriers, leading them to divert from their original routes for evaluation and possible repairs.

This incident raises concerns about the safety and navigation protocols in the busy Aegean Sea. Authorities and maritime experts will conduct thorough investigations to determine the cause of the collision and to prevent similar incidents in the future. As the shipping industry continues to evolve with new technologies, vessels, and a growing emphasis on green fuels, incidents like these show the importance of safety measures and constant vigilance on the seas. This collision serves as a reminder of the challenges and risks in maritime activities, emphasizing the need for strict safety standards.

1. Both vessels were traveling in the same direction when the collision occurred.
2. The collision occurred approximately 12 nautical miles east of the western tip of Ikaria island.
3. As of 0850 UTC, both vessels were heading towards Turkish waters for inspection.
4. Both vessels are still underway, but at reduced speeds.
5. The cause of the collision is not known yet, it will be investigated by maritime experts.
6. The SKIPPER PLANET was heading to Russia as its next destination before the collision.
7. Despite the collision, both vessels were able to continue their voyages without any interruption.
8. The damage to the SKIPPER PLANET has been confirmed as minor.
9. The collision has had no impact on the schedules and plans of the involved vessels.
10. The SKIPPER PLANET's status as NUC indicates it has lost the ability to navigate as normal.

EXERCISE B: WRITE THE IMO SMCP TERMS AND THE PLACES DESCRIBED: [1]

1. Vessel turned over:
2. Vessel secured by ropes or made fast to the shore or anchors:
3. Vessel moving uncontrollably by current, tide or wind:
4. Vessel sunk, at the bottom of the sea:
5. Seven short blasts followed by a long blast on the ship's whistle:
6. Crew/passengers gather there before abandoning the vessel:
7. The cook cooks there:
8. On the two sides of the bridge, they offer good visibility aft:.....
9. Place in the accommodation where you can have your meals with the rest of the crew:
10. You can wash your cloths there:.....

EXERCISE C: WRITE WHAT THE ABBREVIATIONS STAND FOR. [2 p.]

GMDSS, SWL, CPA, EPIRB, TSS, ETA, SART, LSA, VTS, PA system

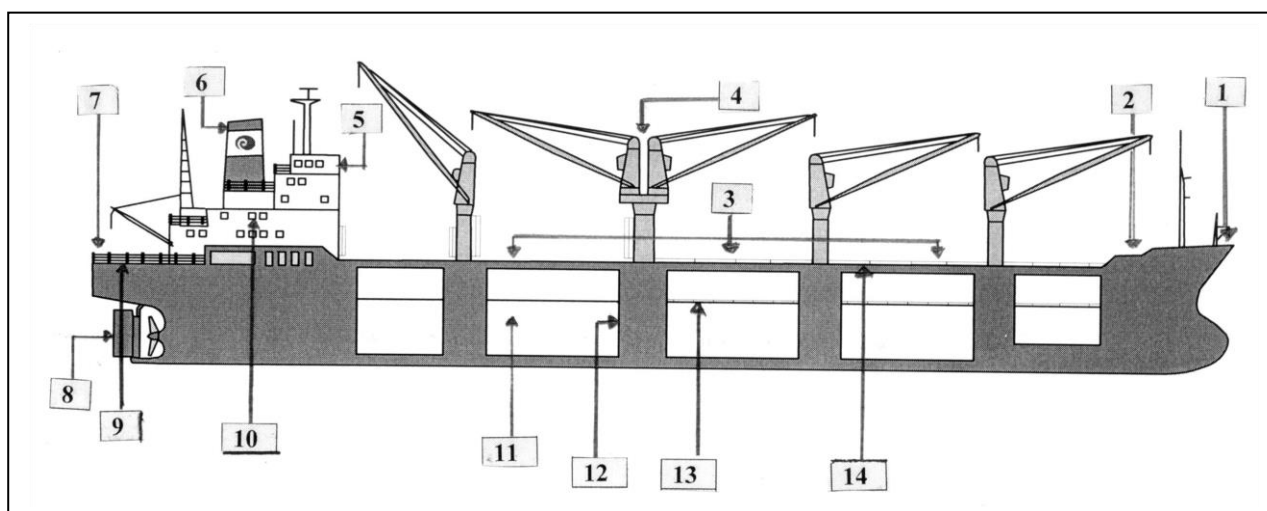
EXERCISE D: WRITE THE APPROPRIATE SAFETY EQUIPMENT [1 p.]

1. You need it to carry injured people to the vessel's hospital
2. You need it in the cold sea
3. You need it to spray water/powder to a fire
4. You throw it to the person overboard to keep them afloat
5. You use it to help passengers abandon ship safely and quickly

EXERCISE E: COMPLETE THE SENTENCES, THE FIRST LETTER OF THE MISSING WORDS IS GIVEN. [1 p.]

1. A v..... carrier carries cars and trucks.
2. A t.... boat tows big vessels to their berth.
3. A d... is a special duty vessel which widens and deepens channels
4. A VLCC carries c..... oil.
5. A s.... vessel is used for scientific research.

EXERCISE F: WRITE THE NAME OF THE PARTS OF THE VESSEL SHOWN BY ARROWS [1,4 p.]



EXERCISE G. CHOOSE THE CORRECT UNDERLINED WORD: (0.8)

1. To be on the sheltered side of the ship is called windward/ leeward/ leeway.
2. Twisted/ foul/ dredging of anchor is when the anchor has its own cable twisted around it.
3. SMCP : Standard Marine Co-ordination/ Communication / Co-operation Phrases
4. My first days onboard are for familiarization/ appointment/ adaptation.
5. You must fill in this appliance/ application/ employment form.
6. Reefer containers are used to carry cargo in freezer/ container/ general cargo ships.
7. Who is the rating/ officer/ official in charge of the ship's engines?
8. Do you have your seafarer's/ seaman's/ sailor's book?

EXERCISE H: FILL IN THE MISSING WORDS. USE THE WORDS GIVEN [THERE ARE EXTRA WORDS]. (0.8)

extinguishers, maintenance, lookout, representative, publications, port, correction, helmsman, binoculars, order

- The Master is a (1) of the company, pays the crew and is responsible for the safety and well-being of the crew.
- The Navigation officer is responsible for activities like chart (2) and making sure the bridge electronic equipment is in good working (3).
- The AB works on deck for cleaning, painting and (4). He also works on the bridge as a (5), steering the ship, or a (6), watching through the (7).
- The Safety officer inspects fire-fighting equipment and makes sure all fire (8) are not expired.